



Feet

Brazed and Fusion-bonded Heat Exchangers

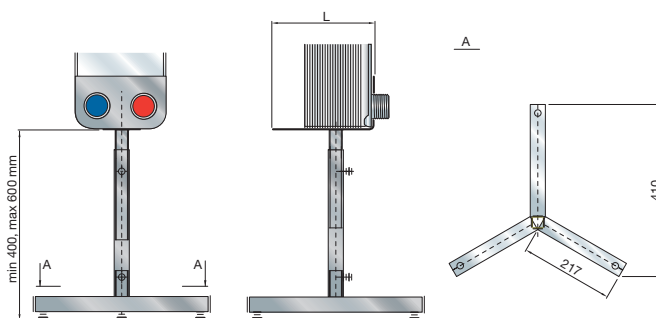
Alfa Laval offers a wide range of accessories to our products. Below feet and floor support kits are available from stock.

Floor support kit, adjustable foot

Material: Black painted steel

| CB30, CB60, AlfaNova 27 (Fits connections 1¼" and smaller) | | |
|--|--------|--------------|
| Nbr. of plates | L (mm) | Item id |
| 10-60 | 45 | 34560 8980 1 |
| 61-100 | 130 | 34560 8980 2 |
| 101-150 | 200 | 34560 8980 3 |
| CB110, CB112, AlfaNova 76 (Fits connections 2½" and smaller) | | |
| Nbr. of plates | L (mm) | Item id |
| 10-60 | 190 | 34560 9080 1 |
| 61-90 | 260 | 34560 9080 4 |
| 91-120 | 350 | 34560 9080 2 |
| 121-150 | 350 | 34560 9080 3 |

The adjustable foot can be combined with heating insulations (min. 22 plates).

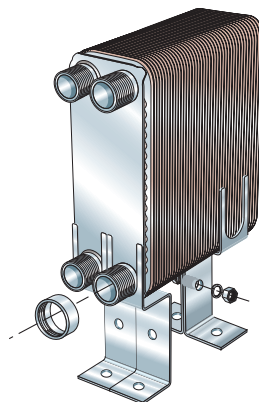


Floor support kit

Material: Galvanized steel

| CB30, CB60, AlfaNova 27 (Fits connections 1" and smaller) | | |
|---|--------|-----------|
| Nbr. of plates | L (mm) | Item id |
| Max. 30 plates | 55 | 162965401 |
| Max. 150 plates | 110 | 162965402 |
| CB110, CB112, AlfaNova 76 | | |
| Nbr. of plates | L (mm) | Item id |
| Max. 30 plates | 190 | 162965501 |
| Max. 150 plates | 190 | 162965502 |

The floor kit can be combined with heating insulations.



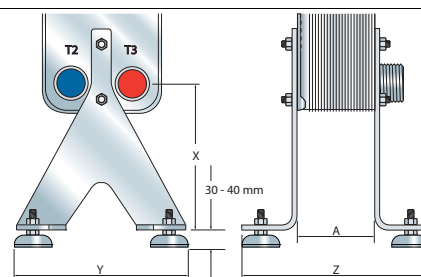
Rigid feet

Require studbolts on the heat exchanger.

Material: Galvanized steel

| Model | X (mm) | Y (mm) | Z (mm) | Item id |
|-----------------------|---------------------|--------|---------|-----------------------------|
| AlfaNova 76 | | | | |
| CB110, CB112, AC220EQ | 195 | 269 | A + 180 | 34565 4450 1 |
| CB200 | 185 | 400 | A + 160 | Incl. in the heat exchanger |
| CB300 | 217 (S2) / 195 (S3) | 466 | A + 260 | Incl. in the heat exchanger |
| CB400, AlfaNova 400 | 212 | 466 | A + 260 | Incl. in the heat exchanger |

The rigid feet can be combined with heating and cooling insulations.



How to contact Alfa Laval

Up-to-date AlfaLaval contact details for all countries are always available on our website on www.alfalaval.com